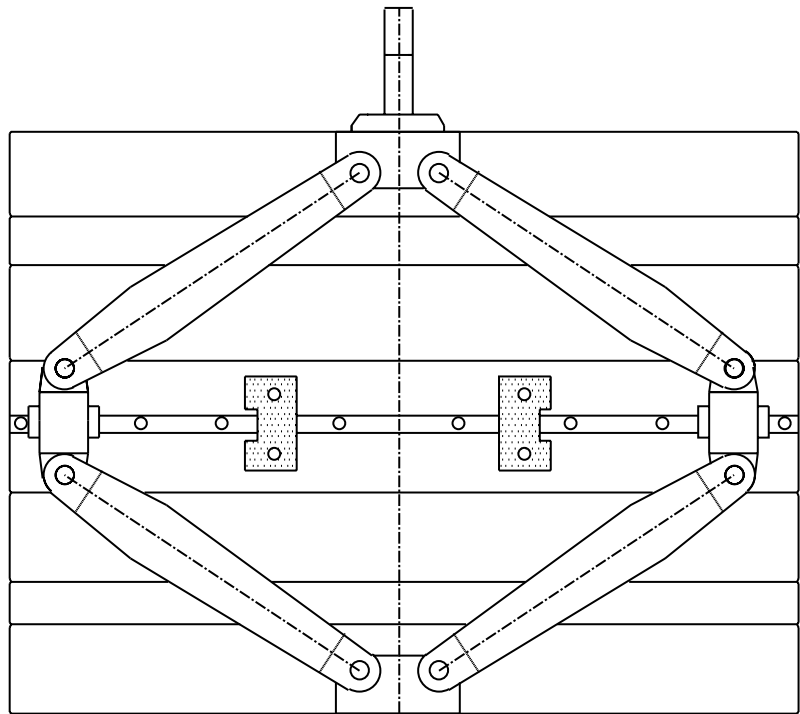


NTM STANDARD STACKMOLD

U.S. Pat. No. 6,015,283

CLOSED POSITION

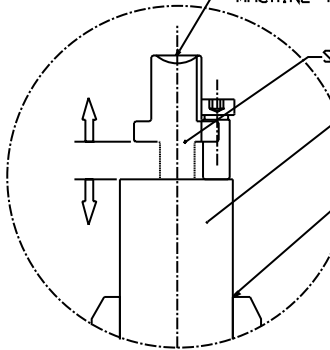


SPRUE BAR NOZZLE BUSHING
STAYS IN CONTACT WITH MOLDING
MACHINE TO PREVENT DROOLING.

SPRUE BAR NOZZLE

SPRUE BAR

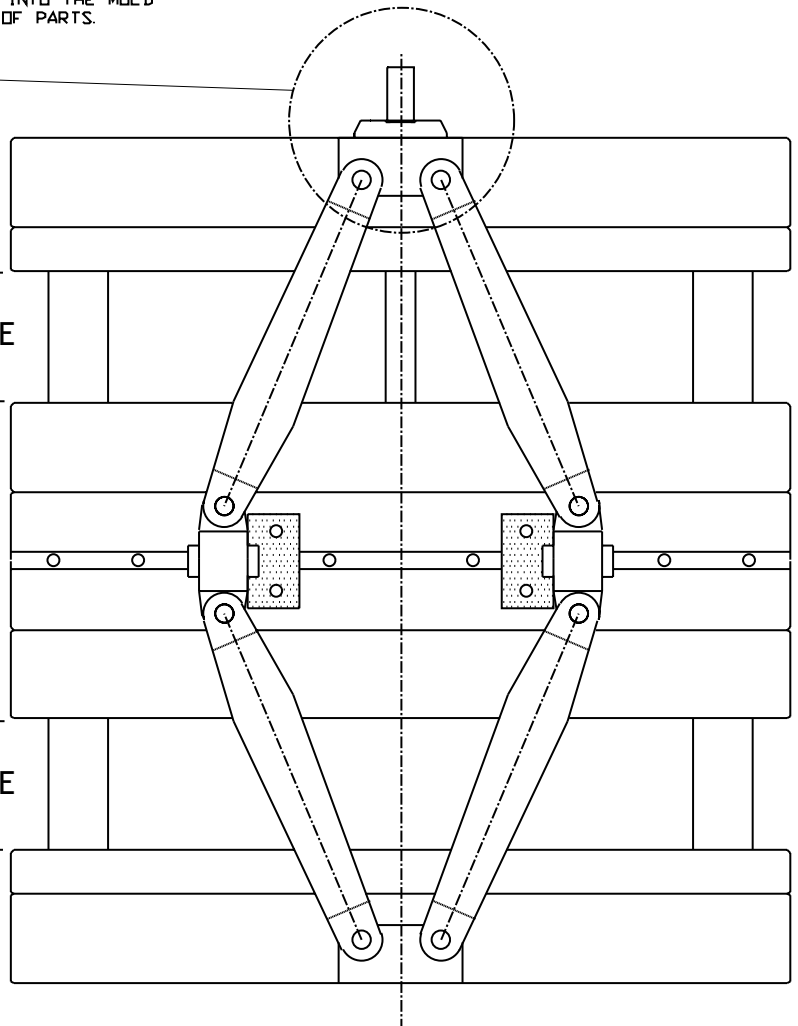
SPRUE BAR TRAVELS INTO THE MOLD
SET UPON EJECTION OF PARTS.



PARTING LINE

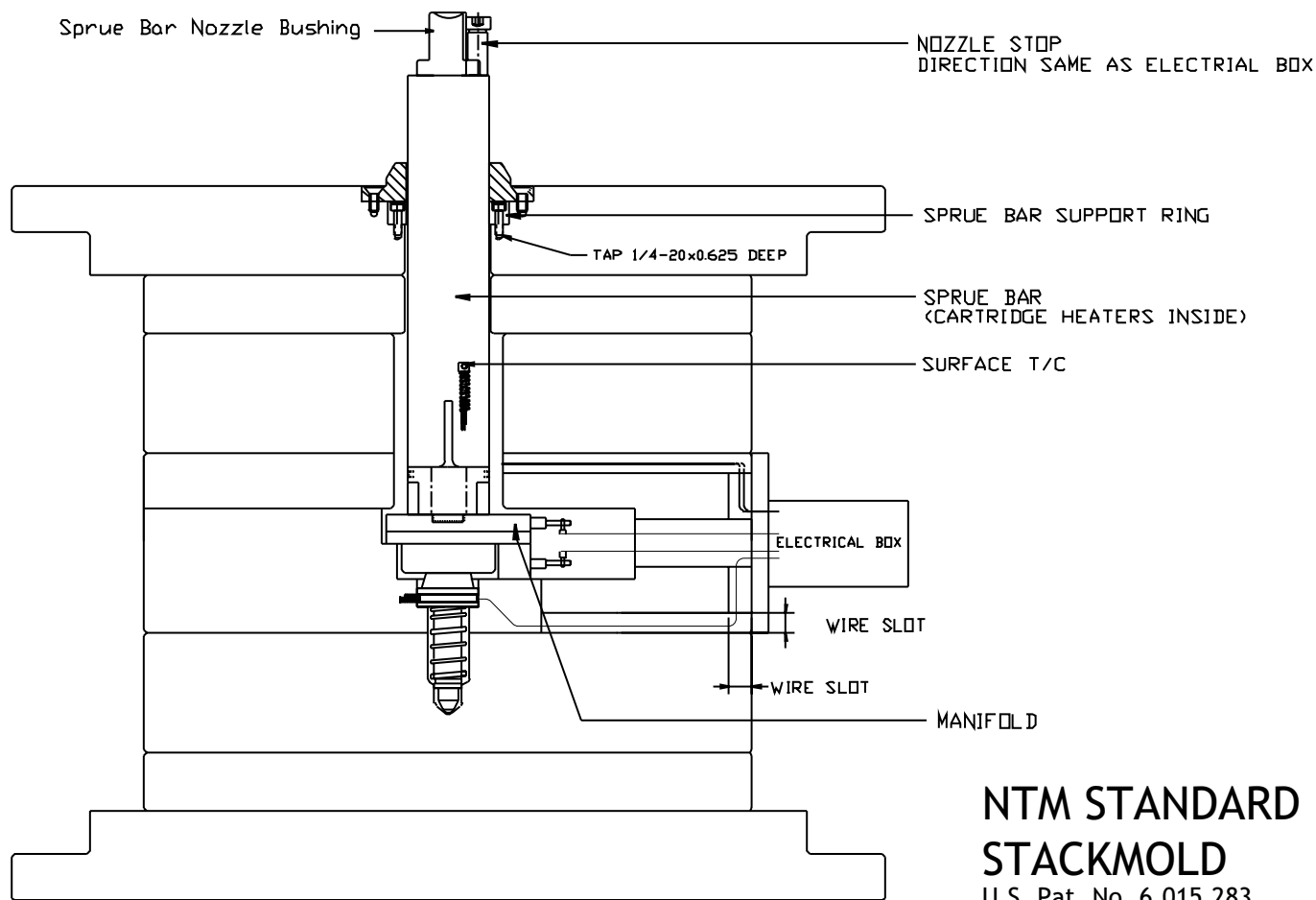
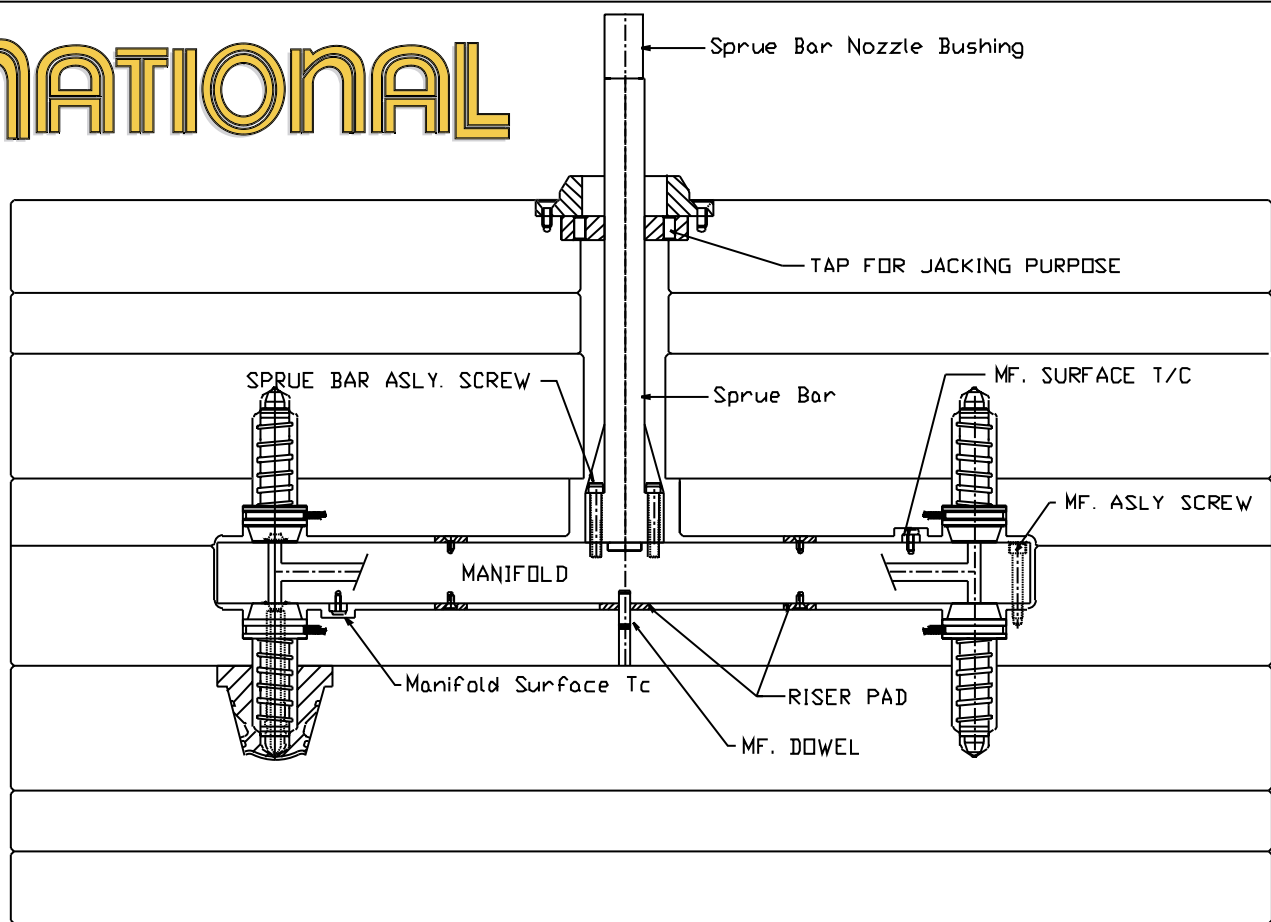
OPEN POSITION

PARTING LINE



NATIONAL

NATIONAL



**NTM STANDARD
STACKMOLD**
U.S. Pat. No. 6,015,283